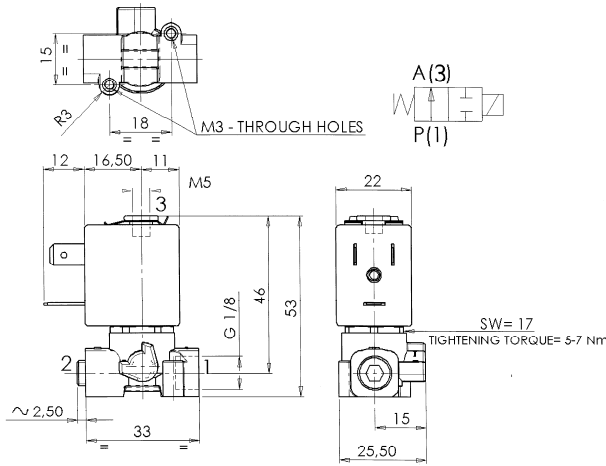




SOLENOID VALVE
2/2- NO (Normally open)
Direct acting
G 1/8

L272
STAINLESS STEEL

NON STANDARD



► GENERAL FEATURES

Direct acting solenoid valve.
 Suitable to shut off liquid and gaseous fluids (verify the compatibility of fluid with material in contact).

► TECHNICAL FEATURES

Maximum allowable pressure (PS) 50bar
 Opening time ~10ms
 Closing time ~10ms
 Fluid temperature 0°C +130°C
 Max viscosity 5°E (~37 cStokes or mm²/s)

► MATERIALS IN CONTACT WITH FLUID

Body Stainless steel AISI 316
 Sealing FPM
 Internal components Stainless steel
 Seat Stainless steel AISI 316
 Core tube Stainless steel
 Shading coil Copper

► COIL

Approval
 Encapsulation material
 Insulation class
 Ambient temperature
 Continuous duty
 Electric connection
 Protection degree
 Voltages DC
 AC

	ZB12A	ZB14A
Approval	UL and CSA	UL and CSA
Encapsulation material	PET (polyethylene-terephthalate) fiberglass reinforced	PET (polyethylene-terephthalate) fiberglass reinforced
Insulation class	F (155°C)	H (180°C)
Ambient temperature	-10°C +60°C	-10°C +75°C
Continuous duty	ED 100%	
Electric connection	DIN 46340 - 3 poles plug connector	
Protection degree	IP 67 (EN 60529) with plug connector	
Voltages DC	12-24V (+10% -5%)	
AC	24V/50-60Hz - 115V/50Hz - 230V/50-60Hz (+10% -15%)	

(Other voltages and frequencies on request).

Port size ISO 228	Orifice size (mm)	Differential pressure (bar)						Kv (m ³ /h)	Series and type		Power absorption				Sealings	Notes	Weight (kg)
		Δp min	Δp max				Valve		Coil	AC (VA)			DC				
			Gases		Liquids					Inrush VA	Holding						
			AC	DC	AC	DC					VA	W		W			
G1/8	1,2	0	10	10	10	10	0,05	L272V07	ZB12A	12	6	4	5,5	FPM	1	0,145	

► NOTES

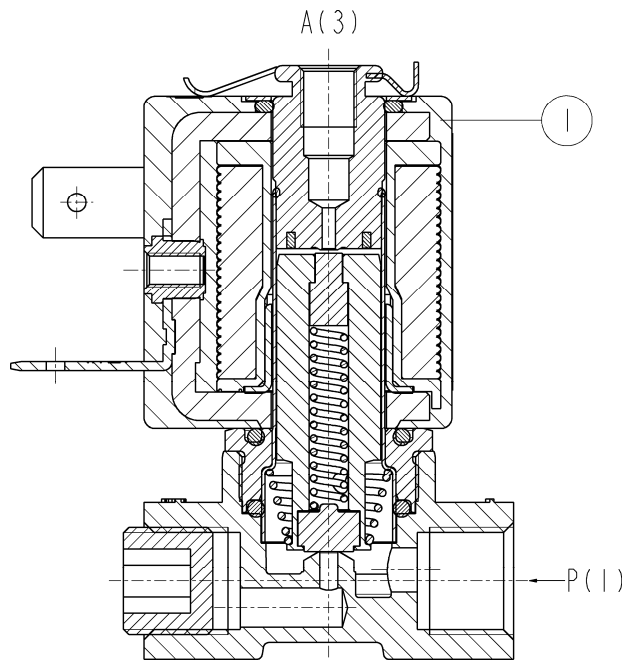
- Sealings: FPM = Fluoro-carbon elastomer
- 1 – On request: - version with manual override
 - sealings in EPDM (Ethylene-propylene elastomer): L272D07 – L272D05 (with manual override)
 - body valve with special surface treatments
 - coil in class H (ZB14A – see § "COIL")
 - grease/oil free versions
- 1 – ZB12 and ZB14 coils fitted with sealing gaskets underneath and on the upper part (see sectional view on the back)

L272

NON STANDARD

STAINLESS STEEL

► SPARE PARTS



Kit description

Coil

Kit P.N.

ZB12A
ZB14A

Consisting of:

Coil pos.1

► INSTALLATION

- Solenoid valve can be mounted in any position; vertical with coil upwards preferred.

THE VALIDITY OF REPORTED DATA IS REFERRED TO THE DATE OF ISSUE. POSSIBLE UPDATES ARE AVAILABLE ON REQUEST