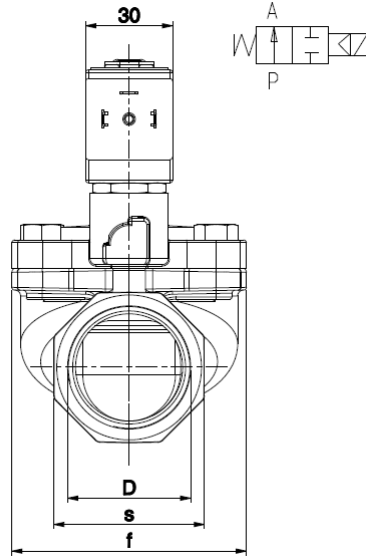
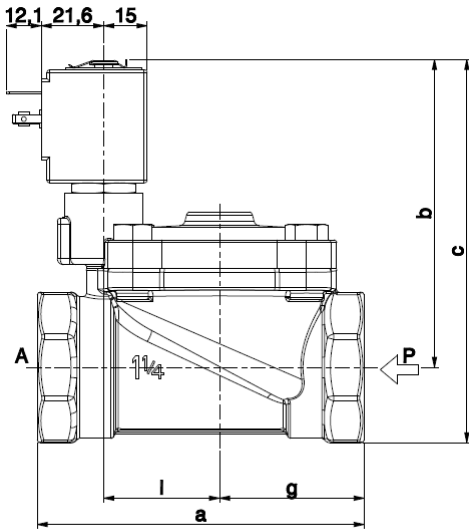




**SOLENOID VALVE**  
**2/2 - NO (Normally open)**  
 Pilot operated  
**1 ¼ ÷ 2 NPT**

**L282D-BIG**

1 ¼ ÷ 2 NPT



D	a	b	c	f	g	l	s
1 ¼	113	106	132	81	50	40	52
1 ½	140	110	140	110	64	53	60
2	157	114	150	110	72	53	72

► **GENERAL FEATURES**

Diaphragm valve, pilot operated, having full orifice.  
 Suitable to shut off liquid and gaseous fluids (verify the compatibility of fluid with materials in contact).  
 Not suitable for use with dangerous fluids listed in Group 1, therefore they are free from CE marking in conformity with article 3 § 3 of the European Directive 97/23/EC (Pressure Equipment Directive).  
 WRAS certified solenoid valves (certificate n. 1411048).

► **TECHNICAL FEATURES**

Maximum allowable pressure (PS) 10 bar  
 Opening time from ~300ms to ~1500ms  
 Closing time from ~1000ms to ~2000ms  
 Fluid temperature -10°C +85°C  
 Max viscosity 5°E (~37 cStokes or mm<sup>2</sup>/s)

► **MATERIALS IN CONTACT WITH FLUID**

Body Brass  
 Sealing EPDM  
 Internal components Brass and stainless steel  
 Seat Brass  
 Guide assembly Stainless steel  
 Shading ring Copper

► **COIL**

Continuous duty ED 100%  
 Encapsulation material PPS (Polyphenylsulfure) fiberglass reinforced  
 Coil insulation class F (155°C) on request class H (180°C) – UL (see ZA34)  
 Ambient temperature -10°C +50°C  
 Electric connection DIN 46340 - 3 poles connector (EN175301-803)  
 Protection degree IP 67 (EN 60529) with plug connector  
 Voltages DC **ZA10A**: 12-24V (+10% -5%)  
 AC **ZA10Y**: 24V/50Hz - 110V/50Hz (120V/60Hz) - 230V/50Hz (+10% -15%)  
 (Other voltages and frequencies on request)

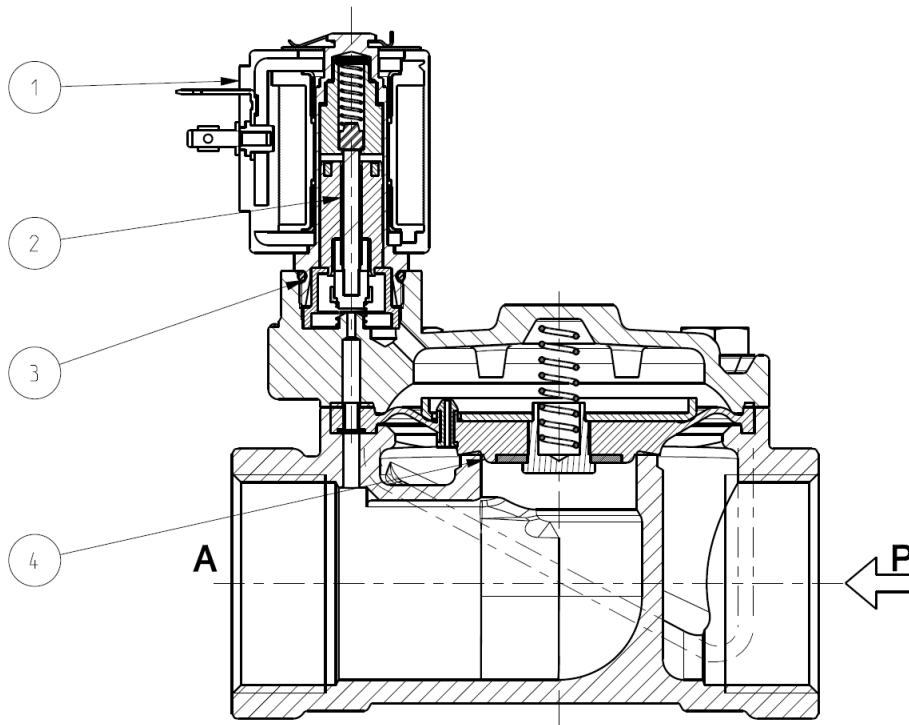
Port size	Orifice size (mm)	Differential pressure (bar)				Kv (m <sup>3</sup> /h)	Series and type		Power absorption			Sealings	Notes	Weight (kg)			
		Δp max					Valve	Coil	AC (VA)		DC (W)						
		Gases		Liquids					Inrush	Holding							
1 ¼ NPT	30	10	-	10	-	L282D50	ZA10Y	28	20	-	EPDM	-	1,590				
1 ½ NPT	45	9	-	9	-								2,510				
2 NPT	45												2,990				
1 ¼ NPT	30	-	10	-	10								ZA10A	-	-	9	1,590
1 ½ NPT	45	-	9	-	9												2,510
2 NPT	45																2,990

► **NOTE**

- Sealings : EPDM = Ethylene-propylene elastomer  
 - Operation with gaseous fluids at high pressure without any outlet restriction can reduce the diaphragm life.

# L282D-BIG – 1" ¼ ÷ 2" NPT

## ► SPARE PARTS



### Kit description

Actuator kit

### Kit P.N.

438589-003R

### Consisting of:

Actuator kit pos. 2  
O-Ring guide assembly pos. 3

Diaphragm assembly

1 ¼ NPT	2400804R
1 ½ - 2 NPT	2401305R

Diaphragm assembly pos. 4

Coil

ZA10A	ZA10Y
-------	-------

Coil pos. 1

## ► MOUNTING

Solenoid valve can be mounted in any position; vertical with coil upwards preferred.

THE VALIDITY OF REPORTED DATA IS REFERRED TO THE DATE OF ISSUE. POSSIBLE UPDATES ARE AVAILABLE ON REQUEST.