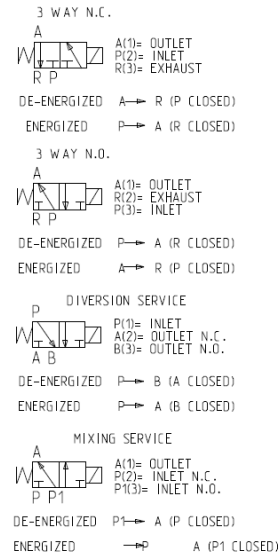
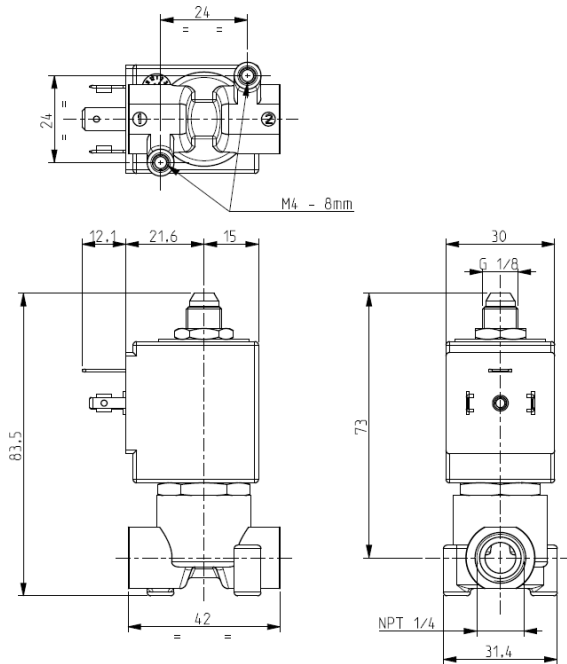




SOLENOID VALVE
3/2 - NC - NO - U (Universal service)
Direct acting
1/4 NPT

L321-NPT



► **GENERAL FEATURES**

Direct acting solenoid valve.
 Suitable to shut off liquid and gaseous fluids (verify the compatibility of fluid with materials in contact).

► **TECHNICAL FEATURES**

Maximum allowable pressure (PS) 40 bar
 Opening time ~20ms
 Closing time ~20ms
 Fluid temperature -10°C +90°C (NBR)
 0°C +130°C (FPM)
 5°E (~37 cStokes or mm²/s)
 Max viscosity

► **MATERIALS IN CONTACT WITH FLUID**

Body Brass
 Sealing NBR or FPM
 Internal components Stainless steel
 Seat Brass
 Guide assembly Stainless steel
 Shading ring Copper

► **COIL**

Continuous duty ED 100%
 Encapsulation material PPS (Polyphenylsulfure) fiberglass reinforced
 Coil insulation class F (155°C) on request class H (180°C) – UL (see ZA34)
 Ambient temperature -10°C +50°C
 Electric connections DIN 46340 - 3 poles connectors (EN 175301-803)
 Protection degree IP 67 (EN 60529) with plug connector
 Voltages DC ZA10G: 12-24V (+10% -5%)
 AC ZA10A: 24V/50Hz - 110V/50Hz (120V/60Hz) - 230V/50Hz (+10% -15%)
 (Other voltages and frequencies on request)

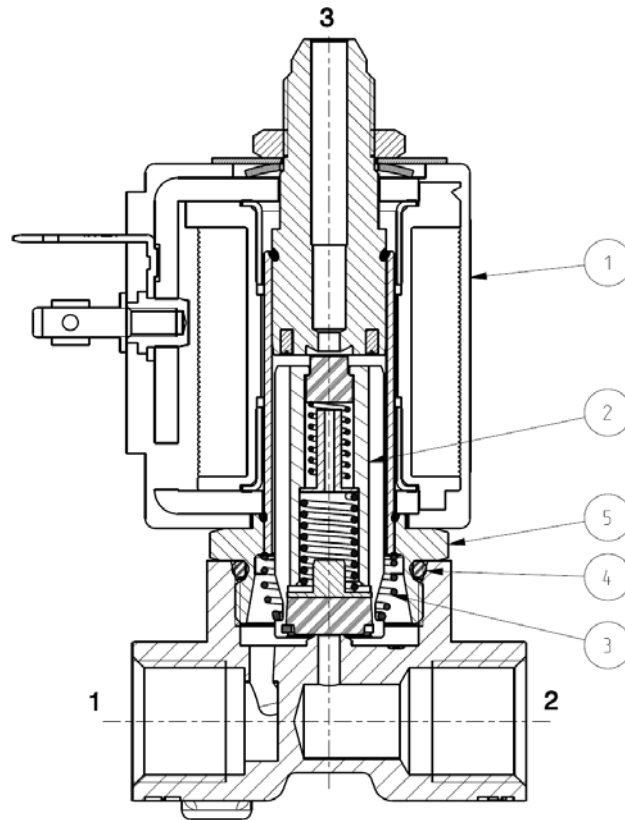
| Port size NPT | Orifice size (mm) | Differential pressure (bar) | | | | Kv (m ³ /h) | Series and type | | Power absorption | | | Sealings | Function Notes | Weight (kg) | |
|------------------|-------------------------|-----------------------------|--------|----|----|---------------------------|-----------------|----------|------------------|--------|-----------|----------|-------------------|----------------|---------|
| | | Δp min | Δp max | | | | Valve | Coil | AC (VA) | | DC (W) | | | | |
| | | | AC | DC | AC | | | | DC | Inrush | | | | | Holding |
| 1/4 | 2,3 | 0 | 8 | - | 8 | - | L321B03C | ZA10A | 23 | 14 | - | NBR | NC | 0,370 | |
| | | | - | 8 | - | 8 | | ZA10G | - | - | 12 | | NC | | |
| | | | 8 | - | 8 | - | | L321V03C | ZA10A | 23 | 14 | - | FPM | | NC |
| | | | - | 8 | - | 8 | | | ZA10G | - | - | 12 | | | NC |
| | | | 8 | - | 8 | - | | L321B03A | ZA10A | 23 | 14 | - | NBR | | NO |
| | | | - | 8 | - | 8 | | | ZA10G | - | - | 12 | | | NO |
| | | | 5 | - | 5 | - | L321V03G | ZA10A | 23 | 14 | - | FPM | U | | |
| | | | - | 5 | - | 5 | | ZA10G | - | - | 12 | | U | | |

► **NOTES**

- Sealings : NBR = Nitrile-butylene elastomer FPM = Fluoro-carbon elastomer
 - NC: Normally closed NO: Normally open U: Universal service
 - IMQ CSV approval, see ZA10 datasheet for further details

L321-NPT

► SPARE PARTS



Kit description

Core kit

L321B03C
L321V03C
L321B03A
L321V03G

Kit P.N.

G3065902
G3065901
G3064902
G3065101

Consisting of:

Core pos. 2
Core return spring pos. 3
O-Ring guide assembly pos. 4

Core return spring kit

L321B-V03C
L321B03A
L321V03G

G3065701
G3063601
G3022401

N.10 core return spring pos. 3

O-Ring guide assembly kit

L321B...
L321V...

GU2421000017
GU2424000017

N.10 O-Ring guide assembly pos. 5

Guide pipe assembly

3027601

Guide pipe assembly pos. 5

Coil

ZA10A
ZA10G

Coil pos. 1

► MOUNTING

Solenoid valve can be mounted in any position; vertical with coil upwards preferred.

THE VALIDITY OF REPORTED DATA IS REFERRED TO THE DATE OF ISSUE. POSSIBLE UPDATES ARE AVAILABLE ON REQUEST.