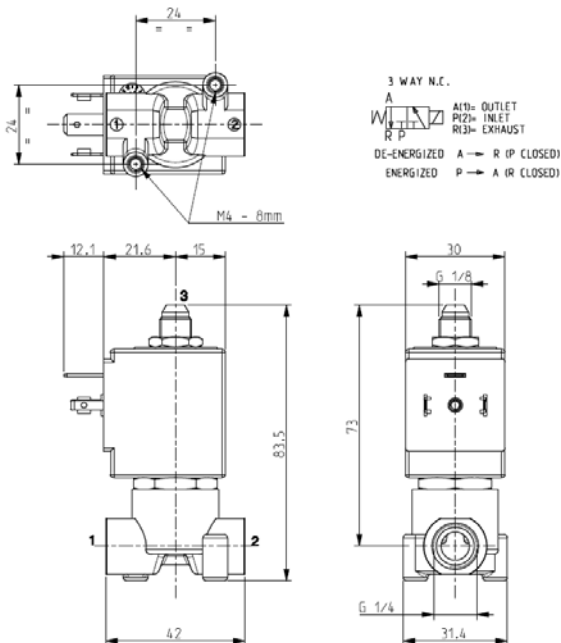




**SOLENOID VALVE**  
**3/2 - NC (Normally closed)**  
**Direct acting**  
**G 1/4**

**L321V04C**



► **GENERAL FEATURES**

Direct acting solenoid valve, complying with NSF standards.  
 Suitable to shut off liquid and gaseous fluids (verify the compatibility of fluid with materials in contact).

► **TECHNICAL FEATURES**

Maximum allowable pressure (PS) 40 bar  
 Opening time ~20ms  
 Closing time ~20ms  
 Fluid temperature 0°C +130°C  
 Max viscosity 5°E (~37 cStokes or mm<sup>2</sup>/s)

► **MATERIALS IN CONTACT WITH FLUID**

Body Chemically nickel plated brass (Ni-P)  
 Sealing FPM (FDA homologated compound)  
 Internal components Stainless steel  
 Seat Stainless steel  
 Guide assembly Stainless steel  
 Shading ring Copper

► **COIL**

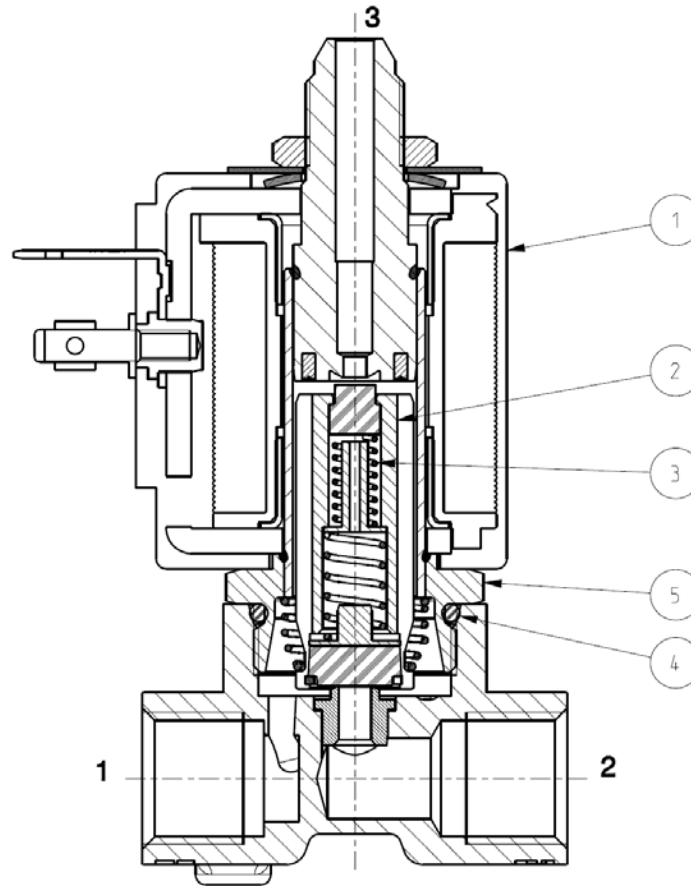
Approval UL (class F) – for UL cl.H: ZA34  
 ED 100%  
 Encapsulation material PPS (Polyphenylsulfure) fiberglass reinforced  
 Coil insulation class F (155°C) on request class H (180°C)  
 Ambient temperature -10°C +50°C  
 Electric connections DIN 46340 - 3 poles connectors (EN 175301-803)  
 Protection degree IP 67 (EN 60529) with plug connector  
 Voltages DC ZA10G: 12-24V (+10% -5%)  
 AC ZA10A: 24V/50Hz - 110V/50Hz (120V/60Hz) - 230V/50Hz (+10% -15%)  
 (Other voltages and frequencies on request)

Port size ISO 228	Orifice size (mm)	Differential pressure (bar)				Kv (m <sup>3</sup> /h)	Series and type		Power absorption			Sealings	Notes	Weight (kg)	
		Δp min	Δp max				Valve	Coil	AC (VA)		DC (W)				
			Gases		Liquids				Inrush	Holding					
			AC	DC	AC										DC
G 1/4	4,4	0	2,5	-	2,5	-	L321V04C	ZA10A	23	14	-	FPM	-	0,300	
			-	2,5	-	2,5		ZA10G	-	-	12				

► **NOTES**

- Sealings : FPM = Fluoro-carbon elastomer (FDA homologated compound)
- Upper exhaust (3) with seat diameter 2,3 mm
- IMQ CSV approval, see ZA10 datasheet for further details
- UL approved coil (E153691)

► SPARE PARTS



**Kit description**

Core kit  
 Core return spring kit  
 OR guide assembly kit  
 Guide assembly  
 Coil

**Kit P.N.**

G3038404  
 G3065701  
 GU2424000017  
 297779-001R  
 ZA10A  
 ZA10G

**Consisting of:**

Core pos. 2  
 N.10 core return spring pos. 3  
 N.10 OR guide assembly pos. 4  
 Guide assembly pos. 5  
 Coil pos.1

► MOUNTING

Solenoid valve can be mounted in any position; vertical with coil upwards preferred.

THE VALIDITY OF REPORTED DATA IS REFERRED TO THE DATE OF ISSUE. POSSIBLE UPDATES ARE AVAILABLE ON REQUEST.