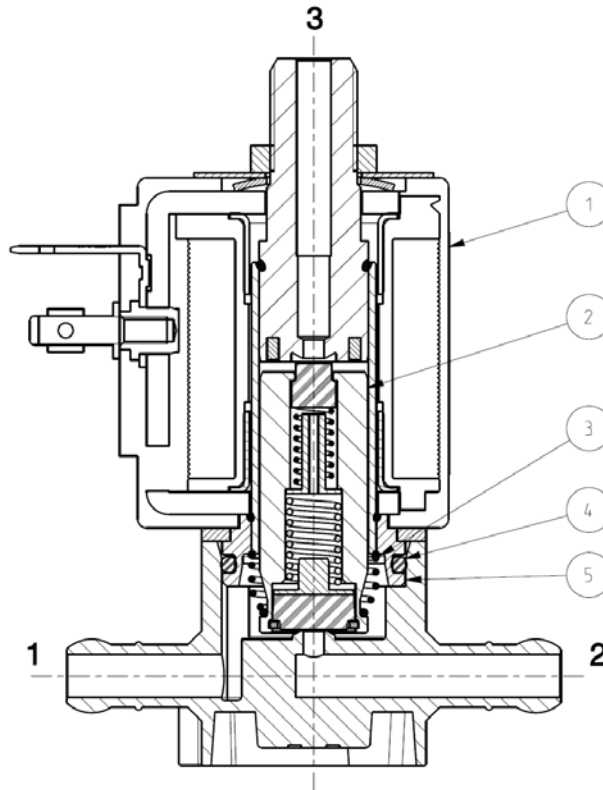


L323V04G

► SPARE PARTS



Kit description

Kit P.N.

Consisting of:

Core kit	G3065101	Core pos. 2
Core return spring kit	G3022401	N.10 core return spring pos. 3
O-Ring guide assembly kit	GU242800017	N.10 O-Ring guide assembly pos. 4
Guide assembly	290564-001R	Guide assembly pos. 5
Coil	ZA10A ZA10G	Coil pos.1

► MOUNTING

- Solenoid valve can be mounted in any position; vertical with coil upwards preferred.
- In case of disassembling for usual maintenance, the fixing screws of the guide assembly have to be tightened with 0,6±0,7 Nm torque.

THE VALIDITY OF REPORTED DATA IS REFERRED TO THE DATE OF ISSUE. POSSIBLE UPDATES ARE AVAILABLE ON REQUEST.