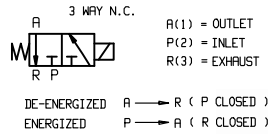
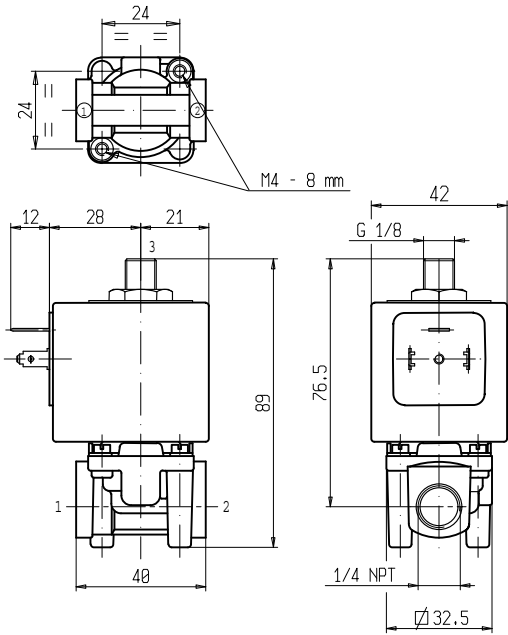




SOLENOID VALVE
3/2 - NC (Normally closed)
Direct acting
1/4 NPT

L339-NPT



► **GENERAL FEATURES**

Direct acting solenoid valve.
 Suitable to shut off liquid and gaseous fluids (verify the compatibility of fluid with materials in contact).

► **TECHNICAL FEATURES**

Maximum allowable pressure (PS) 20 bar
 Opening time ~15ms
 Closing time ~15ms
 Fluid temperature -10°C +90°C
 Max viscosity 5°E (~37 cStokes or mm²/s)

► **MATERIALS IN CONTACT WITH FLUID**

Body Brass
 Sealing NBR
 Internal components Stainless steel
 Seat Brass
 Core tube Stainless steel
 Shading coil Copper

► **COIL**

Continuous duty ED 100%
 Encapsulation material PET (polyethylene-terephthalate) fiberglass reinforced
 Insulation class F (140°C) – on request class H(165°C) - UL
 Ambient temperature -10°C +60°C
 Electric connections DIN 46340 - 3 poles connectors (DIN 43650)
 Protection degree IP 65 (EN 60529) with plug connector
 Voltages DC 12-24V (+10% -5%)
 AC 24V/50Hz - 110V/50Hz (120V/60Hz) - 230V/50Hz (+10% -15%)
 (Other voltages and frequencies on request)

Port size (ins)	Orifice size (mm)	Differential pressure (bar)				Kv (m ³ /h)	Series and type		Power absorption			Sealings	Notes	Weight (kg)	
		Δp min	Δp max				Valve	Coil	AC (VA)		DC (W)				
			Gases		Liquids				Inrush	Holding					
			AC	DC	AC										DC
1/4 NPT	2,3	0	10	10	10	10	0,17	L339B06C	Z130A	44	24	13	NBR	-	0,500

► **NOTES**

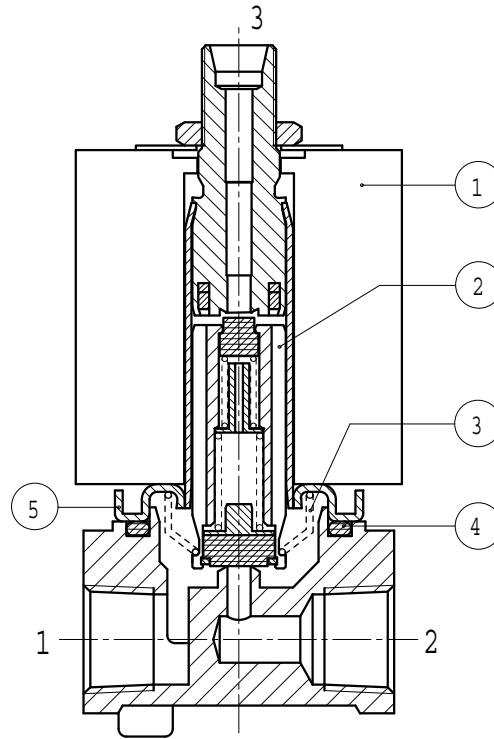
- Sealings : NBR = Nitrile-butylene elastomer

0411/0605



L339-NPT

► SPARE PARTS



Kit description

Core kit

Kit P.N.

G2879201

Consisting of:

Core pos. 2
OR guide assembly pos. 4

Core return spring kit

G2908601

N.10 core return spring pos. 3

OR guide assembly kit

GU2421000059

N.10 OR guide assembly pos. 4

Guide assembly

3078901R

Guide assembly pos. 5

Coil

Z130A

Coil pos. 1

► INSTALLATION

Solenoid valve can be mounted in any position; vertical with coil upwards preferred.

THE VALIDITY OF REPORTED DATA IS REFERRED TO THE DATE OF ISSUE. POSSIBLE UPDATES ARE AVAILABLE ON REQUEST.