



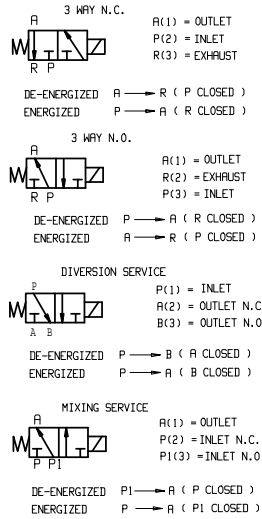
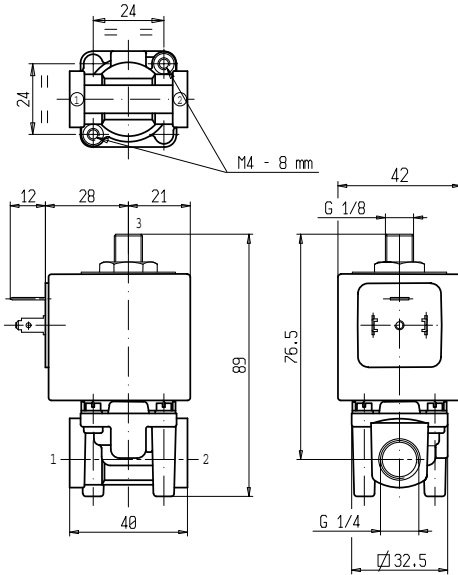
# SOLENOID VALVE

## 3/2 - NC - UF (Universal function)

### Direct acting

### G 1/4

# L339



#### ► GENERAL FEATURES

Direct acting solenoid valve.  
 Suitable to shut off liquid and gaseous fluids (verify the compatibility of fluid with materials in contact).

#### ► TECHNICAL FEATURES

Maximum allowable pressure (PS) 20 bar  
 Opening time ~15ms  
 Closing time ~15ms  
 Fluid temperature -10°C +90°C (NBR)  
 0°C +130°C (FPM)  
 Max viscosity 5°E (~37 cStokes or mm<sup>2</sup>/s)

#### ► MATERIALS IN CONTACT WITH FLUID

Body Brass  
 Sealing NBR or FPM  
 Internal components Stainless steel  
 Seat Brass  
 Core tube Stainless steel  
 Shading coil Copper

#### ► COIL

Continuous duty ED 100%  
 Encapsulation material PET (polyethylene terephthalate) fiberglass reinforced  
 Insulation class F (140°C) on request class H (165°C) - UL  
 Ambient temperature -10°C +60°C  
 Electric connections DIN 46340 - 3 poles connectors (DIN 43650)  
 Protection degree IP 65 (EN 60529) with plug connector  
 Voltages DC 12-24V (+10% -5%)  
 AC 24V/50Hz - 110V/50Hz (120V/60Hz) - 230V/50Hz (+10% -15%)  
 (Other voltages and frequencies on request).

Port size ISO 228	Orifice size (mm)	Differential pressure (bar)				Kv (m <sup>3</sup> /h)	Series and type		Power absorption			Sealings	Function Notes	Weight (kg)	
		Δp min	Δp max				Valve	Coil	AC (VA)		DC (W)				
			Gases		Liquids				Inrush	Holding					
			AC	DC	AC										DC
G 1/4	2,3	0	10	10	10	10	0,17	L339B05C	Z130A	44	24	13	NBR	NC	0,500
	3		4	4	3,5	3,5		0,26					L339V05G	FPM	

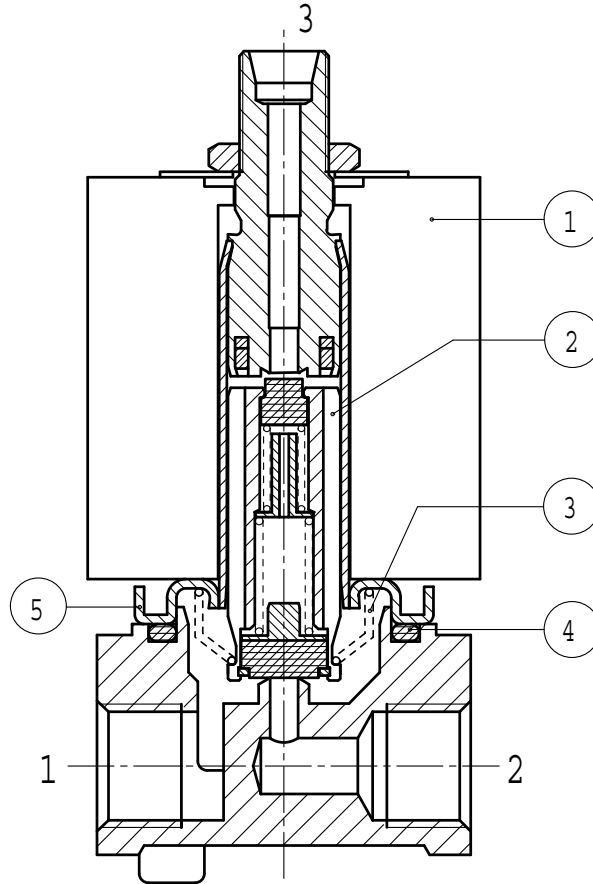
#### ► NOTES

- Sealings : NBR = Nitrile-butylene elastomer FPM = Fluoro-carbon elastomer  
 - NC: Normally closed UF: Universal function  
 1 - The use of the solenoid valve as N.O., without any outlet restriction, reduces the max pressure to the 50% of the rated value.



# L339

## ► SPARE PARTS



### Kit description

Core kit

L339B05C  
L339V05G

### Kit P.N.

G2879201  
G2879402

### Consisting of:

Core pos. 2  
OR guide assembly pos. 4

Core return spring kit

L339B05C  
L339V05G

G2908601  
G2876301

N.10 core return spring pos. 3

OR guide assembly kit

L339B05C  
L339V05G

GU2421000059  
GU2424000059

N.10 OR guide assembly pos. 4

Guide assembly

L339... Ø 2,3  
L339... Ø 3

3078901R  
3078902R

Guide assembly pos. 5

Coil

Z130A

Coil pos. 1

## ► INSTALLATION

Solenoid valve can be mounted in any position; vertical with coil upwards preferred.

THE VALIDITY OF REPORTED DATA IS REFERRED TO THE DATE OF ISSUE. POSSIBLE UPDATES ARE AVAILABLE ON REQUEST.