



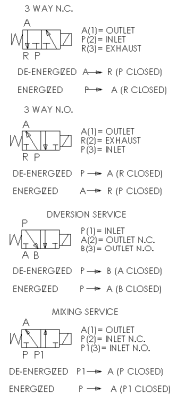
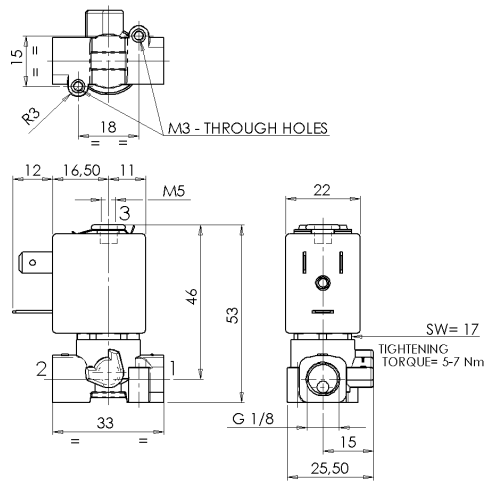
# SOLENOID VALVE

## 3/2- NC - NO - US (Universal service)

### Direct acting G 1/8

# L372

STAINLESS STEEL

**NON STANDARD**


► **GENERAL FEATURES**

Direct acting solenoid valve.  
Suitable to shut off liquid and gaseous fluids (verify the compatibility of fluid with material in contact)

► **TECHNICAL FEATURES**

Maximum allowable pressure (PS)    50bar  
Opening time                                ~10ms  
Closing time                                 ~10ms  
Fluid temperature                         0°C +130°C  
Max viscosity                                5°E (~37 cStokes or mm<sup>2</sup>/s)

► **MATERIALS IN CONTACT WITH FLUID**

Body     Stainless steel AISI 316L  
Sealing                                         FPM  
Internal components                     Stainless steel  
Seat    Stainless steel AISI 316L  
Core tube                                      Stainless steel  
Shading coil                                 Copper

► **COIL**

*Approval*  
*Encapsulation material*  
*Insulation class*  
*Ambient temperature*  
*Continuous duty*  
*Electric connection*  
*Protection degree*  
*Voltages*        DC  
                          AC

	ZB12A		ZB14A
UL and CSA	UL and CSA	UL and CSA	UL and CSA
PET (polyethylene-terephthalate) fiberglass reinforced	PET (polyethylene-terephthalate) fiberglass reinforced	PET (polyethylene-terephthalate) fiberglass reinforced	PET (polyethylene-terephthalate) fiberglass reinforced
F (155°C)	F (155°C)	H (180°C)	H (180°C)
-10°C +60°C	-10°C +60°C	-10°C +75°C	-10°C +75°C
ED 100%			
DIN 46340 - 3 poles plug connector			
IP 67 (EN 60529) with plug connector			
12-24V (+10% -5%)			
24V/50-60Hz - 115V/50Hz - 230V/50-60Hz (+10% -15%)			
(Other voltages and frequencies on request).			

Port size ISO 228	Orifice size (mm)		Differential pressure (bar)				Kv (m <sup>3</sup> /h)		Series and type		Power absorption				Sealings	Notes	Weight (kg)	
			Δp min	Δp max		1↔2					1↔3	AC (VA)		DC				
				Gases	Liquids							Inrush	Holding					VA
1↔2	1↔3	c.a.	c.c.	c.a.	c.c.	VA	VA	W	W									
<b>NC - Normally closed</b>																		
G1/8	1,2	1,2	0	15	15	15	15	0,05	0,05	L372V07C	ZB12A	12	6	4	5,5	FPM	1	0,140
	1,6	1,2		10	10	10	10	0,08	0,05									
	2	1,2		5	5	5	5	0,1	0,05									
	2,4	1,2		4	4	4	4	0,13	0,05									
<b>NO - Normally open</b>																		
G 1/8	1,6	1,2	0	8,5	8,5	8,5	8,5	0,08	0,05	L372V07A	ZB12A	12	6	4	5,5	FPM	1	0,140
<b>US -Universal service</b>																		
G 1/8	1,2	1,2	0	7	7	7	7	0,05	0,05	L372V07G	ZB12A	12	6	4	5,5	FPM	1	0,140
	1,6	1,2		4,5	4,5	4,5	4,5	0,08	0,05									
	2	1,2		3	3	3	3	0,1	0,05									
	2,4	1,2		2	2	2	2	0,13	0,05									

► **NOTES**

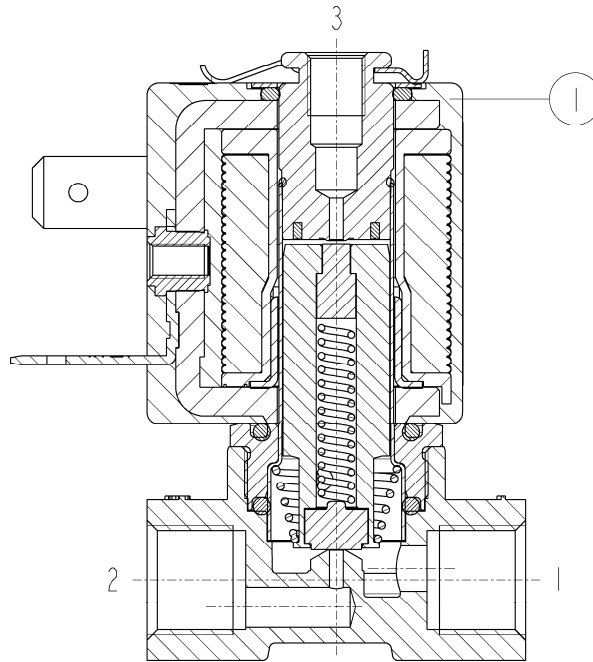
- Sealings: FPM = Fluoro-carbon elastomer
  - On request: - version with manual override: L372V05
  - sealings in EPDM (Ethylene-propylene elastomer): L372D07 – L372D05 (with manual override)
  - coil in class H (ZB14A – see § "COIL")
  - grease/oil free versions
- 1 – ZB12 and ZB14 coils fitted with sealing gaskets underneath and on the upper part (see sectional view on the back)

# L372

NON STANDARD

STAINLESS STEEL

► SPARE PARTS



Kit description

Kit P.N.

Consisting of:

Coil

ZB12A  
ZB14A

Coil pos.1

► INSTALLATION

- Solenoid valve can be mounted in any position; vertical with coil upwards preferred.

THE VALIDITY OF REPORTED DATA IS REFERRED TO THE DATE OF ISSUE. POSSIBLE UPDATES ARE AVAILABLE ON REQUEST