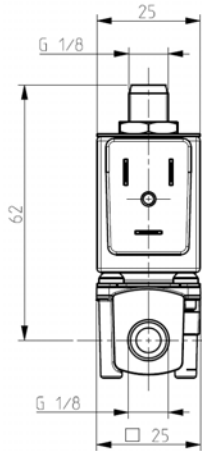
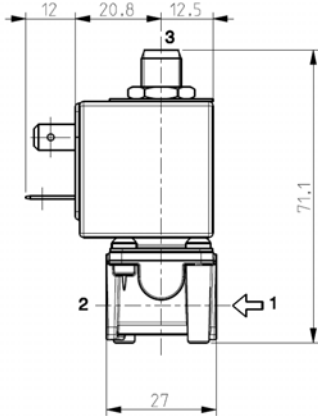
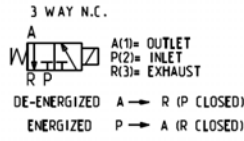
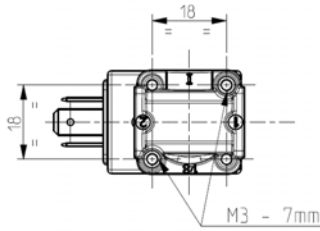




SOLENOID VALVE
3/2- NC (Normally closed)
Direct acting
G 1/8

L377V05C



► **GENERAL FEATURES**

Direct acting solenoid valve, small body size,
Suitable for pneumatic and hydraulic circuits and to operate
single-acting cylinders.
Suitable to shut off liquid and gaseous fluids (verify the compatibility
of fluid with material in contact)

► **TECHNICAL FEATURES**

Maximum allowable pressure (PS) 30 bar
Opening time ~ 15 ms.
Closing time ~ 15 ms.
Fluid temperature 0°C +130°C
Max viscosity 5°E (~37 cStokes or mm²/s)

► **MATERIALS IN CONTACT WITH FLUID**

Body Brass
Sealing FPM
Internal components Stainless steel
Seat Brass or Stainless steel
Guide assembly Stainless steel
Shading coil Copper

► **COIL**

Continuous duty ED 100%
Encapsulation material PET (polyethylene terephthalate) fiberglass reinforced
Coil insulation class F (155°C)
Ambient temperature -10°C +60°C
Electric connection DIN 46340 - 3 poles connectors
Protection degree IP 65 (EN 60529)
Voltages DC 12-24V (+10% -5%)
AC 24V/50-60Hz - 110V/50-60Hz (120V/60Hz) -
230V/50-60Hz (+10% -15%)
(Other voltages and frequencies on request)

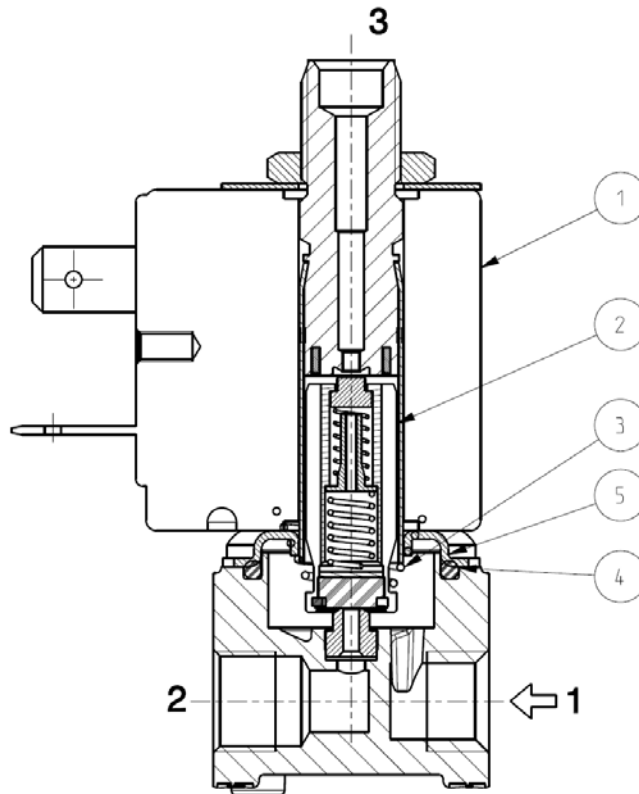
Port size ISO 228	Orifice size (mm)	Differential pressure (bar)				Kv (m ³ /h)	Series and type		Power absorption			Sealings	Notes	Weight (kg)
		Δp max					Valve	Coil	AC (VA)		DC (W)			
		Gases		Liquids					Inrush	Holding				
G 1/8	1,6	0	10	10	8	8	L377V05C	Z610A	16	10	6	FPM	1-2	0,170
	2,3		3	3	3	3								

► **NOTES**

- Sealings: FPM = Fluoro carbon elastomer
- In case of disassembling of the coil, the fixing bolt has to be tightened at 3 Nm max. torque
- 1 - Upper exhaust (3) with seat diameter 1,6 mm.
- 2 - Solenoid valve with stainless steel seat

L377V05C

► SPARE PARTS



Kit description		Kit P.N.	Consisting of:										
Core kit	<table border="0"> <tr><td> </td><td>Ø1,6</td></tr> <tr><td> </td><td>Ø2,3</td></tr> </table>		Ø1,6		Ø2,3	<table border="0"> <tr><td>G2934702</td></tr> <tr><td>G2934902</td></tr> </table>	G2934702	G2934902	<table border="0"> <tr><td> </td><td>Core pos.2</td></tr> <tr><td> </td><td>O-Ring guide assembly pos.4</td></tr> </table>		Core pos.2		O-Ring guide assembly pos.4
	Ø1,6												
	Ø2,3												
G2934702													
G2934902													
	Core pos.2												
	O-Ring guide assembly pos.4												
Core return spring kit	<table border="0"> <tr><td> </td><td>Ø1,6</td></tr> <tr><td> </td><td>Ø2,3</td></tr> </table>		Ø1,6		Ø2,3	<table border="0"> <tr><td>G2926801</td></tr> <tr><td>G2927101</td></tr> </table>	G2926801	G2927101	N.10 core return spring pos.3				
	Ø1,6												
	Ø2,3												
G2926801													
G2927101													
O-Ring guide assembly kit		GU2424000017	N.10 O-Ring guide assembly kit pos.4										
Guide assembly		2973101R	Guide assembly pos.5										
Coil		Z610A	Coil pos.1										

► MOUNTING

- Solenoid valve can be mounted in any position; vertical with coil upwards preferred.

THE VALIDITY OF REPORTED DATA IS REFERRED TO THE DATE OF ISSUE. POSSIBLE UPDATES ARE AVAILABLE ON REQUEST.