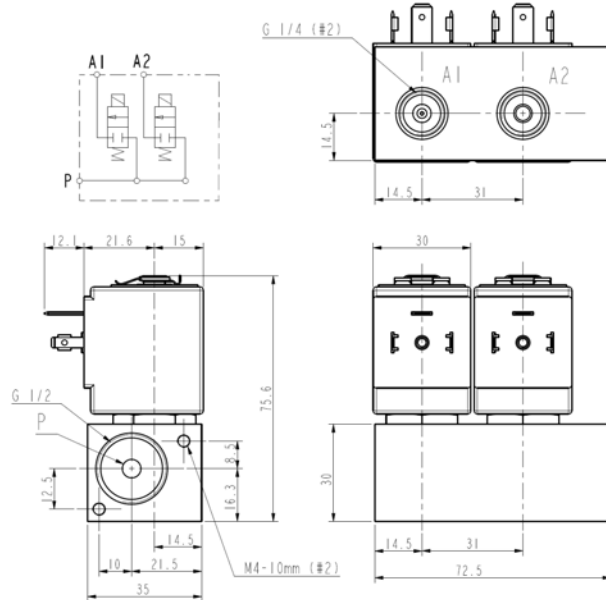




MANIFOLD WITH 2 ACTUATORS
2/2 - NC (Normally closed)
Direct acting
G1/2 (P) – G1/4 (A1-A2)

L621B03-V04



► GENERAL FEATURES

Direct acting manifold with 2 actuators, L621V04 complying with NSF standards.

Suitable to shut off liquid and gaseous fluids (verify the compatibility of fluid with materials in contact).

► TECHNICAL FEATURES

Maximum allowable pressure (PS) 40 bar
 Opening time ~20ms
 Closing time ~20ms
 Fluid temperature -10°C +90°C (NBR)
 0°C +130°C (FPM)
 Max viscosity 5°E (37 cStokes or mm²/s)

► MATERIALS IN CONTACT WITH FLUID

Body L621B03 - Brass
 L621V04 - Brass with chemical nickel coating (Ni-P)
 Sealing NBR or FPM
 Internal components Stainless steel
 Seat Brass
 Core tube Stainless steel
 Shading coil Copper

► COIL

Approval UL (class F) – for UL cl.H: ZA34
 Continuous duty ED 100%
 Encapsulation material PPS (Polyphenilsulfure) fiberglass reinforced
 Insulation class F (155°C) on request cl.H (180°C)
 Ambient temperature -10°C +50°C
 Electric connections DIN 46340 - 3 poles connectors (DIN 53650)
 Protection degree IP 67 (EN 60529) with plug connector
 Voltages DC 24V/50Hz = 110V/50Hz (120V/60Hz) = 230V/50Hz (+10% -15%)
 (Other voltages on request)

Port size ISO-228	Orifice size (mm)	Differential pressure (bar)				Kv (m ³ /h) ▲	Series and type		Power absorption ■			Sealings	Notes	Weight (kg)	
		Δp min	Δp max				Valve	Coil	AC (VA)		DC (W)				
			Gases		Liquids				Inrush	Holding					
			AC	DC	AC										DC
P=G1/2 A1-A2=G1/4	A1=1,1	0	6	-	6	-	L621B03	ZA10A	23	14	-	NBR	-	0,910	
	A2=4,5														0,05
	A1=1,1														0,50
	A2=4,5														0,05
							L621V04								

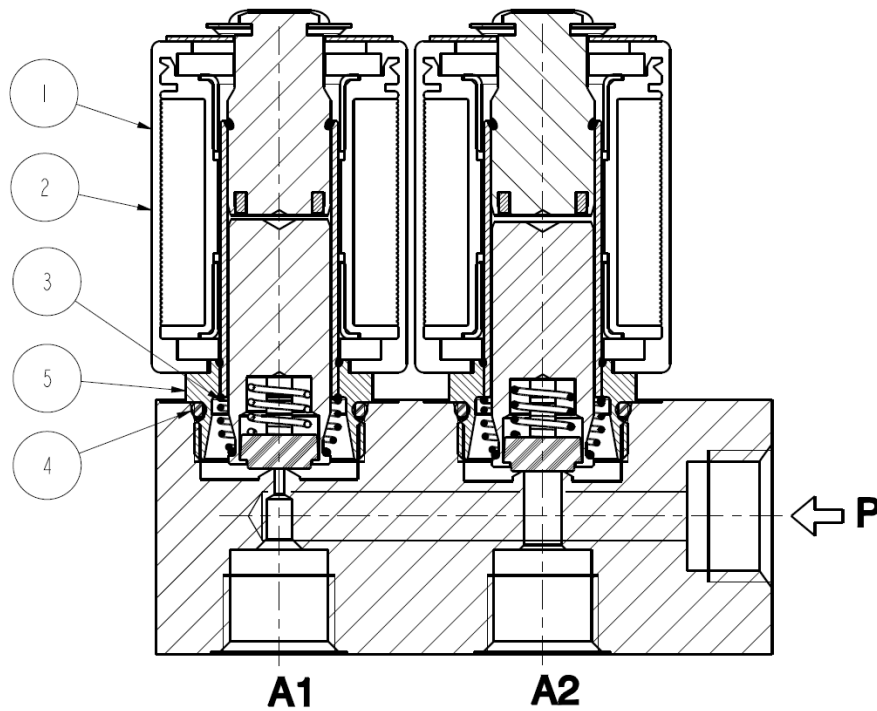
▲ - Value referred to each single actuator. - ■ - Power absorption of a single coil.

► NOTES

- Sealings: NBR = Nitril-butylene elastomer FPM=Fluoro-carbon elastomer (complying with FDA standards)
- IMQ CSV approval, see ZA10 datasheet for further details
- UL approved coil (E153691)



► SPARE PARTS



Kit description

Kit P.N.

Consisting of:

Core kit	L621B03 L621V04	G3022804 G3022803	Core (with core return spring) pos. 2 O-ring guide assembly pos. 4
Core return spring kit		G3022401	N.10 core return spring pos. 3
OR guide assembly kit	L621B03 L621V04	GU2421000017 GU2424000017	N.10 O-ring guide assembly pos. 4
Guide pipe assembly kit		G31486	Guide pipe assembly pos. 5 Coil clip
Coil		ZA10A	Coil pos. 1

► MOUNTING

Manifold can be mounted in any position; vertical with coils upwards preferred.

THE VALIDITY OF REPORTED DATA IS REFERRED TO THE DATE OF ISSUE. POSSIBLE UPDATES ARE AVAILABLE ON REQUEST.