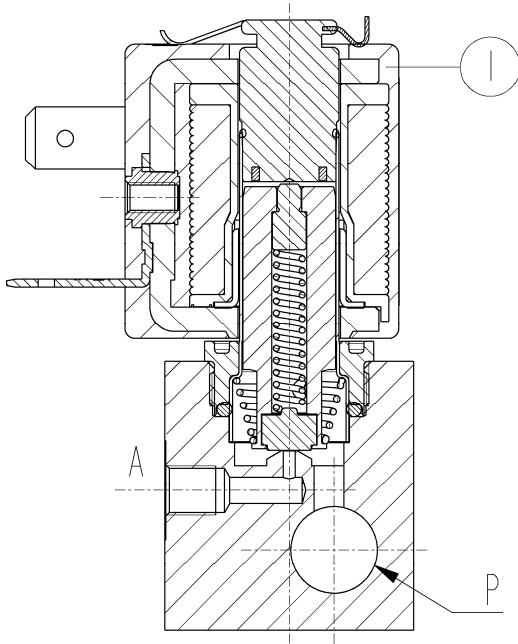
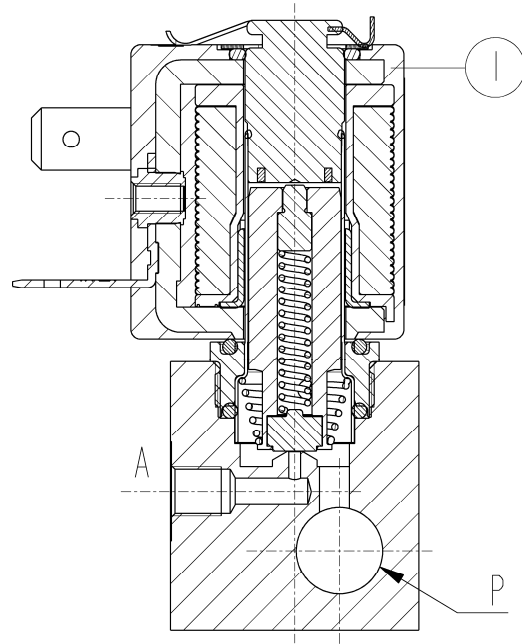


► SPARE PARTS

WITH ZB10A COIL



WITH ZB12A – ZB14A



Kit description

Coil

Kit P.N.

ZB10A
ZB12A
ZB14A

Consisting of:

Coil pos.1

► MOUNTING

- Solenoid valve can be mounted in any position; vertical with coil upwards preferred.

THE VALIDITY OF REPORTED DATA IS REFERRED TO THE DATE OF ISSUE. POSSIBLE UPDATES ARE AVAILABLE ON REQUEST