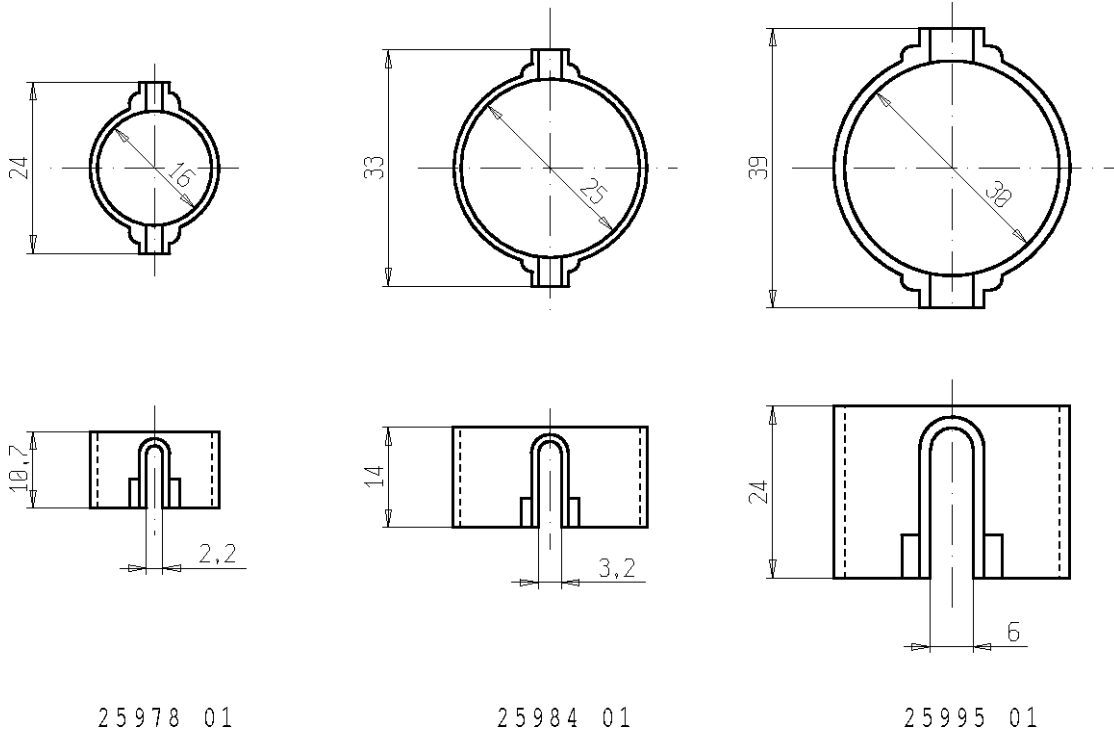




TUBING GUIDE SLEEVE FOR PINCH SOLENOID VALVES

K29501



Device designed for use with soft tubing having O.D: smaller than 2.2/3.5/6mm depending on the valve type. See the table below:

VALVE	O.D. OF VALVE BODY	MAX . O.D. OF TUBING	PART NUMBER
S104 - S108 S204 S305 - S308	16	2,2	25978 01
S105 S205 S306	25	3,5	25984 01
S106 S206 S307	30	6	25995 01

THE VALIDITY OF REPORTED DATA IS REFERRED TO THE DATE OF ISSUE. POSSIBLE UPDATES ARE AVAILABLE ON REQUEST 0012/0406