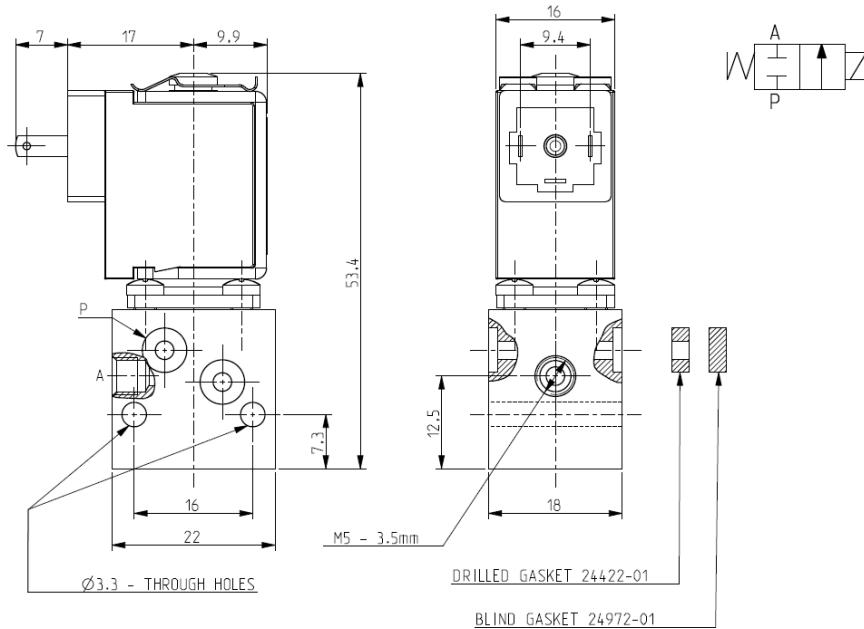




MICRO SOLENOID VALVE
2/2 - NC (Normally closed)
Direct acting
M5

V162

MOUNTING IN BANKS



► **GENERAL FEATURES**

Direct acting micro solenoid valve.
 Minimum overall dimensions, quick response time and high number of cycles.
 Designed for mounting in banks so to get valve groups with common inlets and single and independent outlets. Seal gasket for coupling supplied with the valve. Inlet and closing groups supplied separately.
 A through hole on the body valve allows to connect the inlet with another user (e.g. pressure reducer).
 Suitable to shut off liquid and gaseous fluids (verify the compatibility of fluid with materials in contact).

► **TECHNICAL FEATURES**

Maximum allowable pressure (PS) 16 bar
Opening time from ~ 5ms to ~ 10ms
Closing time from ~ 5ms to ~ 10ms
Fluid temperature -0°C +90°C
Max viscosity 3°E (22 cStokes or mm²/s)

► **MATERIALS IN CONTACT WITH FLUID**

Body Brass
Sealing FPM – NBR (Gaskets)
Internal components Stainless steel
Seat Brass
Core tube Brass

► **COIL**

Continuous duty ED 100%
Encapsulation material PA (Polyamide) fiberglass reinforced
Insulation class F (155°C)
Ambient temperature -10°C +60°C
Electric connections DIN 46340
Protection degree IP 65 (EN 60529) with micro plug connector
Voltages DC 12 - 24V (+10% -5%)
 (Other voltages on request)

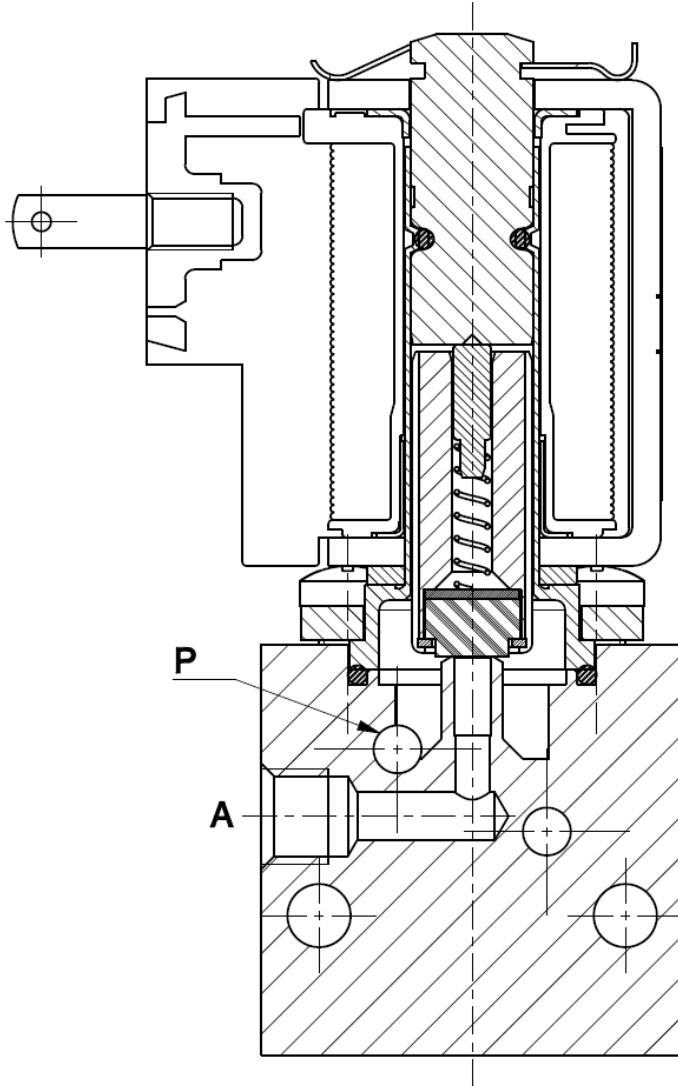
| Port size ISO UNI 4534 | Orifice size (mm) | Differential pressure (bar) | | | | | | Kv (m ³ /h) | Series and type | | Power absorption | | | Sealings | Notes | Weight (kg) |
|------------------------------|-------------------------|-----------------------------|--------|----|---------|----|-------|---------------------------|-----------------|---------|------------------|-------------|---------|----------|-------|----------------|
| | | Δp min | Δp max | | | | Valve | | Coil | AC (VA) | | c.c. (W) | | | | |
| | | | Gases | | Liquids | | | | | Inrush | Holding | | | | | |
| | | | AC | DC | AC | DC | | | | | | | | | | |
| Outlet M5 | 2 | 0 | - | 6 | - | 6 | 0,10 | V162B02 | ZE30A | - | - | 4 | FPM/NBR | 1 | 0,105 | |
| | | | 2 | - | 2 | | | ZE30C | | | 2,5 | | | | | |

► **NOTES**

- These micro-solenoid valves are not suitable for stagnating media subject to vaporization which deposit solid, calcareous, incrusting residues or similar.
- Sealings: FPM = Fluoro-carbon elastomer NBR = Nitrile butylene elastomer
- 1 - Port A can be also used as inlet (Δp max = 1 bar).

V162

► SECTIONAL VIEW



► INSTALLATION

- Solenoid valve can be mounted in any position; vertical with coil upwards preferred.

THE VALIDITY OF REPORTED DATA IS REFERRED TO THE DATE OF ISSUE. POSSIBLE UPDATES ARE AVAILABLE ON REQUEST.