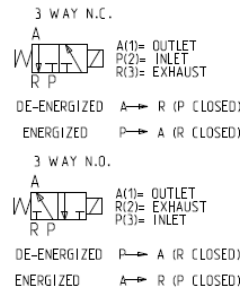
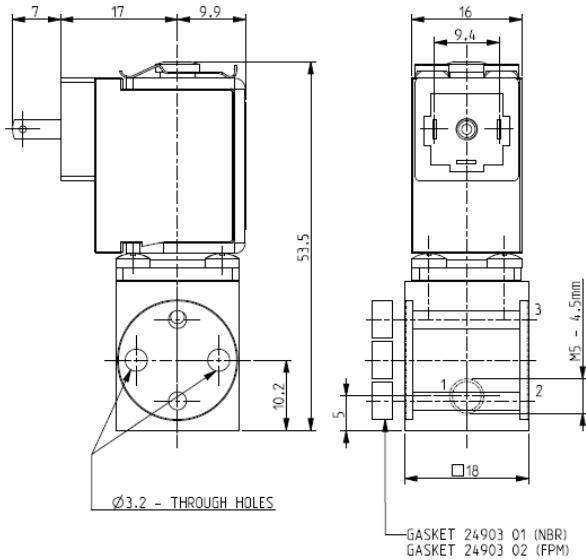




MICRO SOLENOID VALVE
3/2 - NC (Normally closed) – NO (Normally open)
Direct acting
M5

V366
MOUNTING IN BANKS



► **GENERAL FEATURES**

Direct acting micro solenoid valve.
 Minimum overall dimensions, quick response time and high number of cycles.
 Designed for mounting in banks: inlet and exhaust machined into body valve as two through holes so to get banks with common inlet, piped exhaust and single independent outlets.
 Seal gasket for coupling supplied with the valve.
 Inlet and closing group with relative gasket supplied separately.
 For further information see the mounting scheme K29684.
 Suitable to shut off liquid and gaseous fluids (verify the compatibility of fluid with materials in contact).

► **TECHNICAL FEATURES**

Maximum allowable pressure (PS) 16 bar
 Opening time from ~ 5ms to ~ 10ms
 Closing time from ~ 5ms to ~ 10ms
 Fluid temperature -10°C +90°C (NBR)
 0°C +90°C (FPM)
 Max viscosity 3°E (22 cStokes or mm²/s)

► **MATERIALS IN CONTACT WITH FLUID**

Body Brass
 Sealing NBR or FPM
 Internal components Brass, PEI (Polyetherimide) and stainless steel
 Seat Brass
 Core tube Brass

► **COIL**

Continuous duty ED 100%
 Encapsulation material PA (Polyamide) fiberglass reinforced
 Insulation class F (155°C)
 Ambient temperature -10°C +60°C
 Electric connections DIN 46340 with micro plug connector
 Protection degree IP 65 (EN 60529) with micro plug connector
 Voltages DC 12-24V (+10% -5%)
 (Other voltages on request)

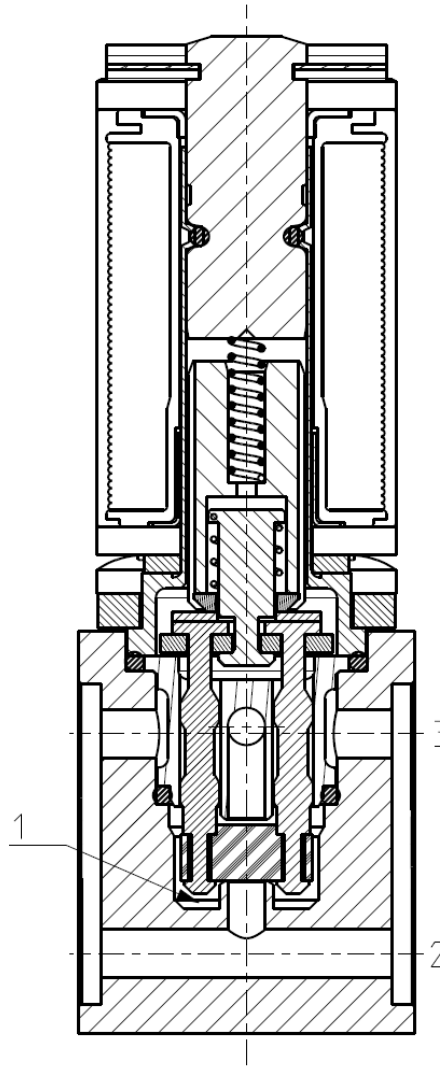
Port size ISO UNI 4534	Orifice size (mm)	Differential pressure (bar)				Kv (m ³ /h)	Series and type		Power absorption			Sealings	Function Notes	Weight (kg)		
		Δp min	Δp max				Valve	Coil	AC (VA)		DC (W)					
			Gases		Liquids				Inrush	Holding						
			AC	DC	AC										DC	
Outlet M5	1,2	0	-	6	-	6	0,04	V366B01B	ZE30A	-	-	4	NBR	NC/NO	0,090	
			-	2,5	-	2,5		0,08					V366B01C			NBR
			-	2,5	-	2,5		0,08					V366B01C			NBR

► **NOTES**

- These micro-solenoid valves are not suitable for stagnating media subject to vaporization which deposit solid, calcareous, incrusting residues or similar.
 - Sealings: NBR = Nitrile-butylene elastomer FPM = Fluoro-carbon elastomer.

V366

► SECTIONAL VIEW



► MOUNTING

- Solenoid valve can be mounted in any position; vertical with coil upwards preferred.

THE VALIDITY OF REPORTED DATA IS REFERRED TO THE DATE OF ISSUE. POSSIBLE UPDATES ARE AVAILABLE ON REQUEST.