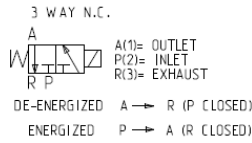
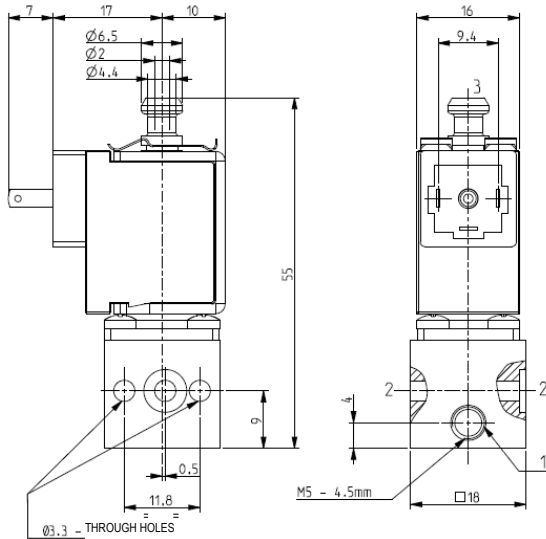




**MICRO SOLENOID VALVE**  
**3/2 - NC (Normally closed)**  
**Direct acting**  
**M5**

**V369**  
**MOUNTING IN BANKS**



► **GENERAL FEATURES**

Direct acting micro solenoid valve.  
 Minimum overall dimensions, quick response time and high number of cycles.  
 Designed for mounting in banks so to get valve groups with common inlets and single and independent outlets. Inlet and closing groups supplied separately. Seal gasket for coupling supplied with the valve.  
 For further information see the mounting scheme K29708.  
 Suitable to shut off liquid and gaseous fluids (verify the compatibility of fluid with materials in contact).

► **TECHNICAL FEATURES**

*Maximum allowable pressure (PS)* 16 bar  
*Opening time* from ~ 5ms to ~ 10ms  
*Closing time* from ~ 5ms to ~ 10ms  
*Fluid temperature* -10°C +90°C  
*Max viscosity* 3°E (22 cStokes or mm<sup>2</sup>/s)

► **MATERIALS IN CONTACT WITH FLUID**

*Body* Brass  
*Sealing* NBR  
*Internal components* Stainless steel  
*Seat* Brass  
*Core tube* Brass

► **COIL**

*Continuous duty* ED 100%  
*Encapsulation material* PA (Polyamide) fiberglass reinforced  
*Insulation class* F (155°C)  
*Ambient temperature* -10°C +60°C  
*Electric connections* DIN 46340 with micro plug connector  
*Protection degree* IP 65 (EN 60529) with micro plug connector  
*Voltages DC* 12 - 24V (+10% -5%)  
 (Other voltages on request)

| Port size<br>ISO UNI<br>4534 | Orifice<br>size<br>(mm) | Differential pressure (bar) |        |     |         | Kv<br>(m <sup>3</sup> /h) | Series and type |          | Power absorption |         |             | Sealings | Notes | Weight<br>(kg) |       |
|------------------------------|-------------------------|-----------------------------|--------|-----|---------|---------------------------|-----------------|----------|------------------|---------|-------------|----------|-------|----------------|-------|
|                              |                         | Δp<br>min                   | Δp max |     |         |                           | Valve           | Coil     | AC (VA)          |         | c.c.<br>(W) |          |       |                |       |
|                              |                         |                             | Gases  |     | Liquids |                           |                 |          | Inrush           | Holding |             |          |       |                |       |
|                              |                         |                             | AC     | DC  | AC      |                           |                 |          |                  |         |             |          |       |                | DC    |
| Outlet M5                    | 2                       | 0                           | -      | 0,4 | -       | 0,4                       | 0,08            | V369B01C | ZE30C            | -       | -           | 2,5      | NBR   | -              | 0,085 |

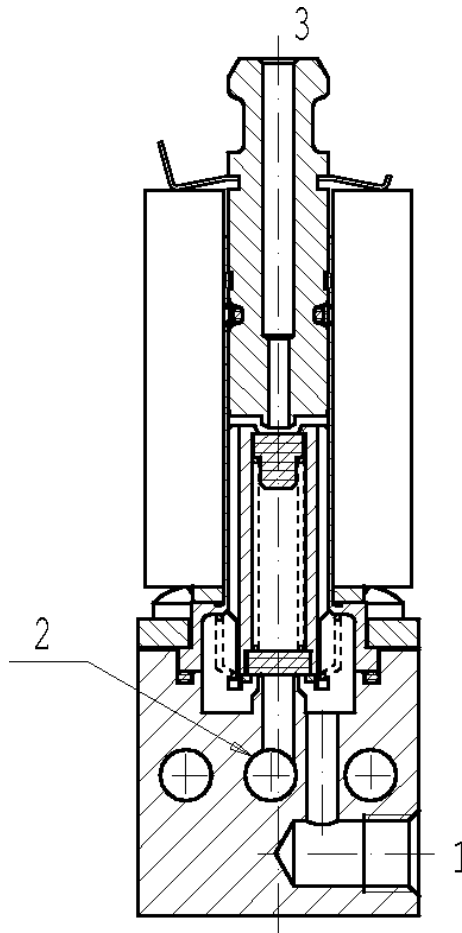
► **NOTES**

- These micro-solenoid valves are not suitable for stagnating media subject to vaporization which deposit solid, calcareous, incrusting residues or similar.
- Sealings: NBR = Nitrile-butylene elastomer.
- Upper exhaust R (3) with internal diameter 1,3 mm.

1410/1704



► SECTIONAL VIEW



► INSTALLATION

- Solenoid valve can be mounted in any position; vertical with coil upwards preferred.

THE VALIDITY OF REPORTED DATA IS REFERRED TO THE DATE OF ISSUE. POSSIBLE UPDATES ARE AVAILABLE ON REQUEST.