

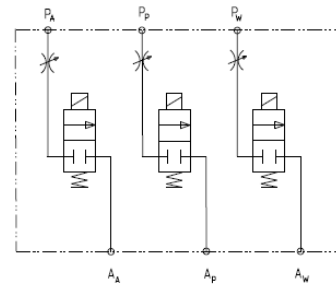
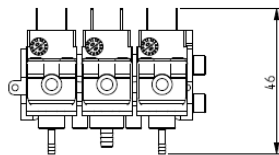
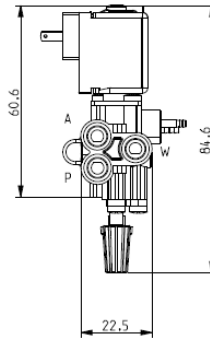
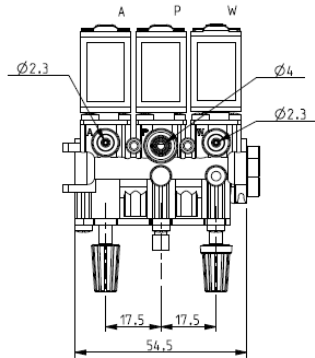


MANIFOLD WITH 3 MICROACTUATORS

N°2: 2/2NC – Direct acting (A-P)

N°1: 2/2NC - DRY – Direct acting (W)

V625D01



► GENERAL FEATURES

Manifold with 2 microactuators 2/2NC (A-P) and 1 total isolation microactuator 2/2NC (W); all direct acting.
 Compact and versatile version, designed for dental equipments; equipped with 3 flow regulators. The modular system allows the use as single or as a set (max. 4 manifolds); the manifold is delivered with 3 sealing O-rings and joint pin. Heads group kit (feeding and end side) available separately (see details on the back).
 Suitable to shut off liquid (W) and gaseous (A-P) fluids (verify the compatibility of fluid with materials in contact).

► TECHNICAL FEATURES

Maximum allowable pressure (PS) 8 bar
Opening time from ~ 5ms to ~ 10ms
Closing time from ~ 5ms to ~ 10ms
Fluid temperature -10°C +90°C
Max. viscosity 3°E (22 cStokes or mm²/s)

► MATERIALS IN CONTACT WITH FLUID

Manifold body and seats POM
Sealing EPDM (WRAS/KTW certified compound)
Internal components Stainless steel – PA66
Guide assembly Stainless steel
Barbed ports Brass

► COIL

Continuous duty ED 100%
Encapsulation material PA (polyamide) fiberglass reinforced
Insulation class F (155°C)
Ambient temperature -10°C +60°C
Electric connections DIN 46340 with micro plug connector
Protection degree IP 65 (EN 60529) with micro plug connector
Voltages DC 12-24V (+10% -5%)
 (Other voltages on request)

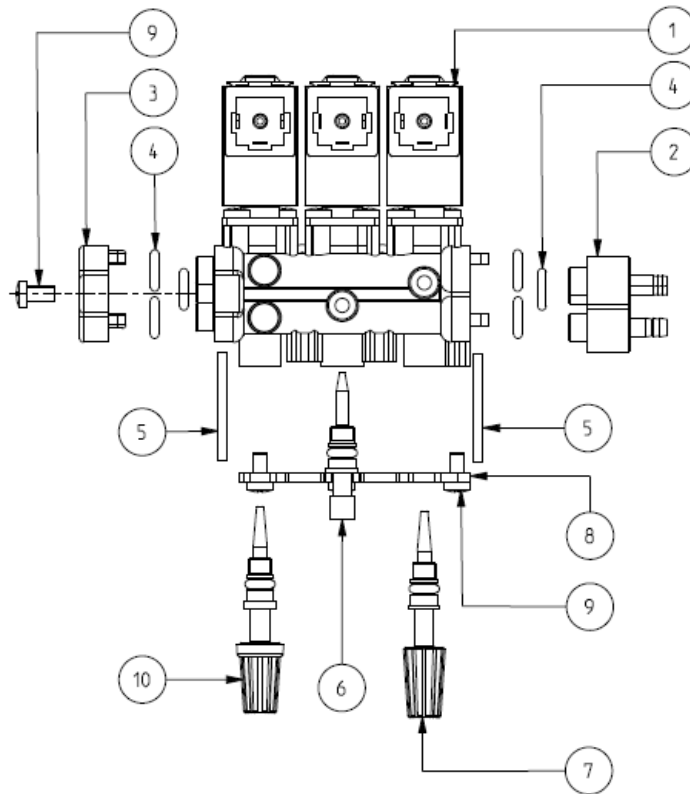
Ports ♦	Orifice size (mm)	Differential pressure (bar)				Kv (m ³ /h) ▲	Series and type			Power absorption ■ DC (W)	Sealings	Notes	Weight (kg) ♦	
		Δp min	Δp max				Manifold	Actuator	Coil					
			Gas		Liquids									
Barbed ports	1,6	0	-	6	-	0,03	V625D01	A	ZE30A	4	EPDM	-	0,15	
	1,8		-	6	-			P						
	1,5		-	-	-			3						W

► NOTES

- Sealing: EPDM = Ethylene-propylene elastomer (WRAS/KTW certified compound)
- ♦ - Features referred to the manifold equipped with feeding and end side heads.
- ▲ - Value referred to each single actuator
- - Power absorption of a single coil

V625D01

► SPARE PARTS



Kit description

Heads group kit

Kit P.N.

G3144801

Consisting of:

Feeding head pos. 2
End side head pos. 3
N°. 1 screw pos. 9
N°. 3 OR pos. 4
Pin pos. 5

OR kit

GU2446000006

N°. 6 OR pos. 4

Pin kit

G3145001

N°. 10 pins pos. 5

Motor channel regulator kit

429664001R

1 screw head regulator assembly pos. 6

Air regulator kit

430009001R

1 knob regulator assembly pos. 7

Water regulator kit

505265001R

1 knob regulator assembly pos. 10

Plate kit

G3144901

Plate pos. 8
N°. 3 screws pos. 9

Coil

ZE30A

Coil pos.1

► MOUNTING

- Manifold can be mounted in any position; vertical with coils upwards preferred.

THE VALIDITY OF REPORTED DATA IS REFERRED TO THE DATE OF ISSUE. POSSIBLE UPDATES ARE AVAILABLE ON REQUEST