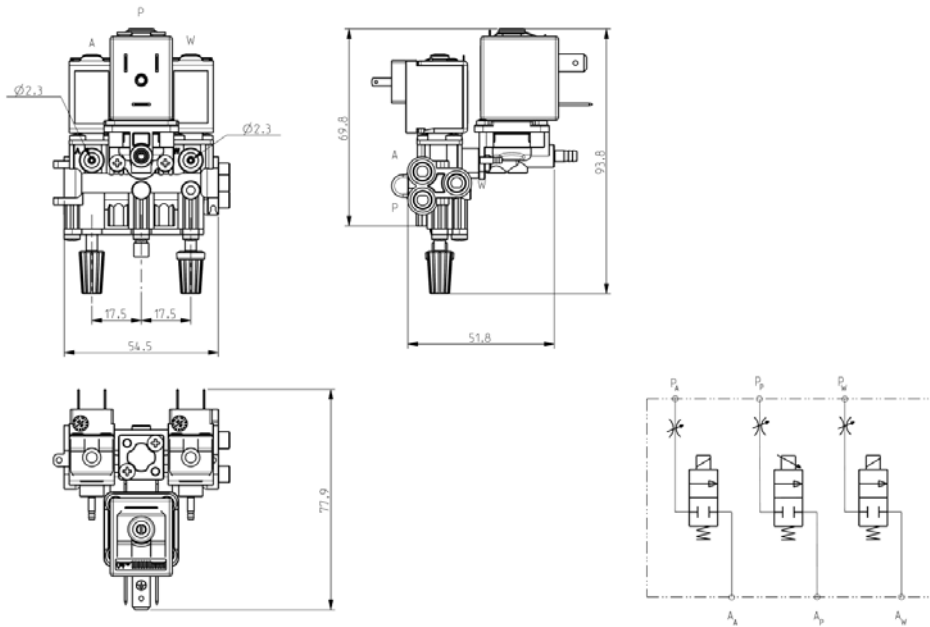




MANIFOLD WITH:

V625D02

- N°1: 2/2NC microactuator – Direct acting (A)
- N°1: 2 ways NC solenoid valve – Proportional – Direct acting (P)
- N°1: 2/2NC microactuator - DRY – Direct acting (W)



► GENERAL FEATURES

Manifold with 1 microactuator 2/2NC (A), 1 total isolation microactuator 2/2NC (W) and 1 proportional solenoid valve 2 ways NC (P); all direct acting.
 Compact and versatile version, designed for dental equipments; equipped with 3 flow regulators. The modular system allows the use as single or as a set (max. 4 manifolds); the manifold is delivered with 3 sealing O-rings and joint pin. Heads group kit (feeding and end side) available separately (see details on the back).
 Suitable to shut off liquid (W) and gaseous (A-P) fluids (verify the compatibility of fluid with materials in contact).

► TECHNICAL FEATURES

Maximum allowable pressure (PS) 8 bar
Opening time from ~5ms to ~10ms (A – W)
Closing time from ~5ms to ~10ms (A – W)
Fluid temperature -10°C +90°C
Max. viscosity 3°E (22 cStokes or mm²/s)

► MATERIALS IN CONTACT WITH FLUID

Manifold body and seats POM
Sealing EPDM (WRAS/KTW certified compound)
Internal components Stainless steel – PA66
Guide assembly Stainless steel
Barbed ports Brass

► COIL

Continuous duty
Encapsulation material
Insulation class
Ambient temperature

Electric connections

Protection degree

Voltages DC

	ZB10A	ZE30A
	ED 100%	
	PA (polyamide) fiberglass reinforced	
	F (155°C)	
	-10°C +60°C	
	DIN 46340 3 poles plug connector	DIN 46340 micro plug connector
	IP65 (EN60529) with plug connector	IP65 (EN 60529) with micro plug connector
	12-24V (+10% -5%)	
	Proportional valve (P): 70 ± 220 mA (24V)	

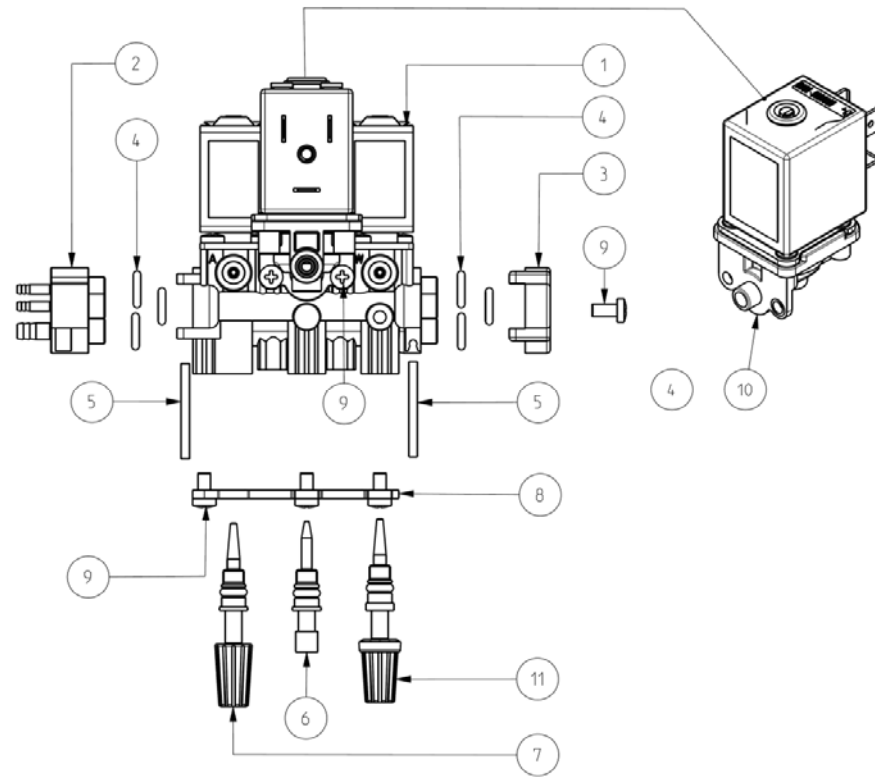
Ports ♦	Orifice size (mm)	Differential pressure (bar)				Kv (m ³ /h) ▲	Series and type			Absorption ■	Sealings	Notes	Weight (kg) ♦
		Δp max					Manifold	Actuator	Coil				
		Δp min	Gas		Liquids								
Barbed ports	1,6		0	-	6	-	-	V625D02	A	ZE30A	4	EPDM	-
	1,6	-		6	-	-	P		ZB10A	5.5			
	1,5	-		-	-	3	W		ZE30A	4			

► NOTE

- Sealing: EPDM = Ethylene-propylene elastomer (WRAS/KTW certified compound)
- ♦ - Features referred to the manifold equipped with feeding and end side heads.
- ▲ - Value referred to each single actuator
- - At the full opening of the microactuator, the air flow is 3.900 nl/h with Δp=6bar
- - Power absorption of a single coil

V625D02

► SPARE PARTS



Kit Description

Heads group kit

Kit P.N.

G3144801

Consisting of:

Feeding head pos. 2
End side head pos. 3
N°. 1 screw pos. 9
N°. 3 OR pos. 4
Pin pos. 5

OR kit

GU2446000006

N°. 6 OR pos. 4

Pin kit

G3145001

N°. 10 pins pos. 5

Motor channel regulator kit

429664001R

1 screw head regulator assembly pos. 6

Air regulator kit

430009001R

1 knob regulator assembly pos. 7

Water regulator kit

505265001R

1 knob regulator assembly pos. 11

Plate kit

G3144901

Plate pos. 8
N°. 3 screws pos. 9

Proportional valve kit

G3145101

Proportional valve assembly pos. 10
N°. 2 screws pos. 9
OR pos. 4

Coil

ZE30A
ZB10A

Coil pos.1

► MOUNTING

- Manifold can be mounted in any position; vertical with coils upwards preferred.

THE VALIDITY OF REPORTED DATA IS REFERRED TO THE DATE OF ISSUE. POSSIBLE UPDATES ARE AVAILABLE ON REQUEST