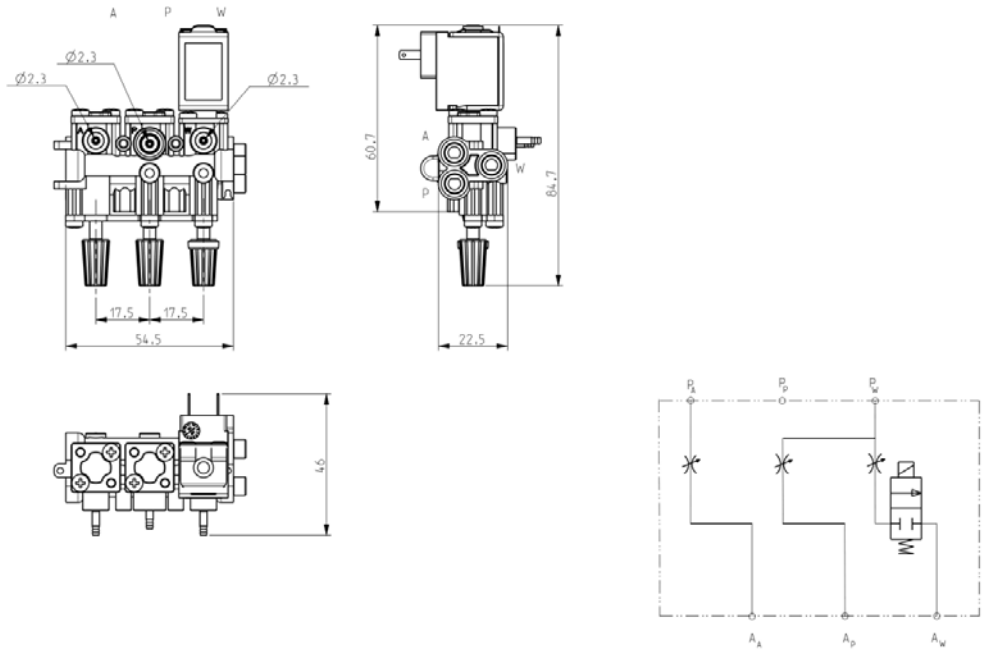




MANIFOLD WITH 1 MICROACTUATOR 2/2NC - DRY - Direct acting (W)

V625D03



► GENERAL FEATURES

Manifold with 1 total isolation direct acting microactuator 2/2NC (W), 1 water channel (P) and 1 air channel (A).
Compact and versatile version, designed for dental equipments.
Equipped with 3 flow regulators; the modular system allows the use as single or as a set (max. 4 manifolds); the manifold is delivered with 3 sealing O-rings and joint pin. Heads group kit (feeding and end side) available separately (see details on the back).
Suitable to shut off liquid (W-P) and gaseous (A) fluids (verify the compatibility of fluid with materials in contact).

► TECHNICAL FEATURES

Maximum allowable pressure (PS) 8 bar
Opening time from ~5ms to ~10ms
Closing time from ~5ms to ~10ms
Fluid temperature -10°C +90°C
Max. viscosity 3°E (22 cStokes or mm²/s)

► MATERIALS IN CONTACT WITH FLUID

Manifold body and seats POM
Sealing EPDM (WRAS/KTW certified compound)
Internal components PA66
Barbed ports Brass

► COIL

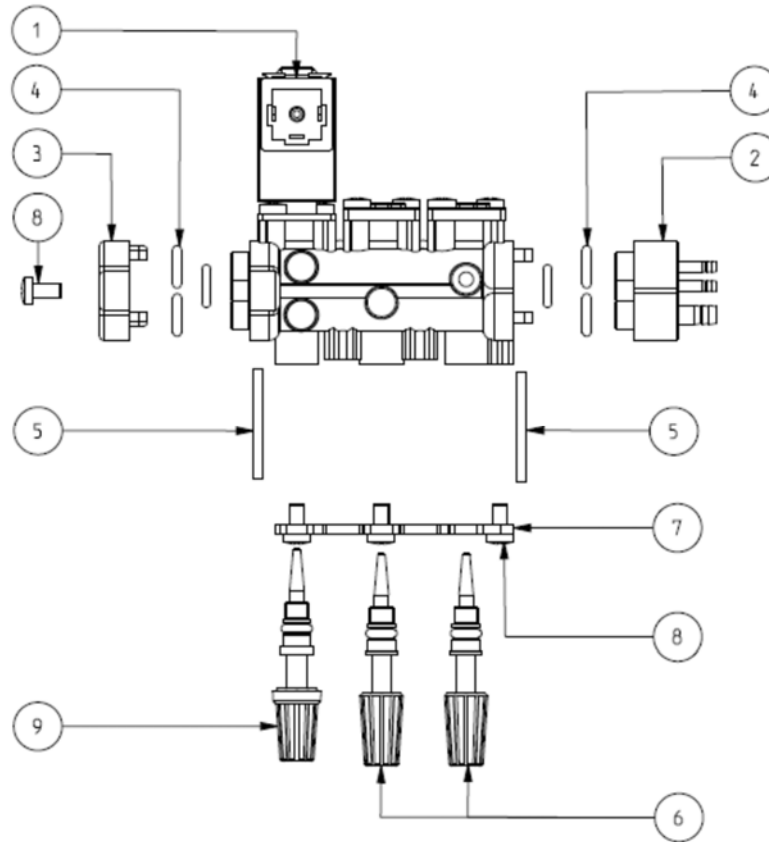
Continuous duty ED 100%
Encapsulation material PA (polyamide) fiberglass reinforced
Insulation class F (155°C)
Ambient temperature -10°C +60°C
Electric connections DIN 46340 with micro plug connector
Protection degree IP65 (EN 60529) with micro plug connector
Voltages DC 12-24V (+10% -5%)
(Other voltages on request)

| Ports ♦ | Orifice size (mm) | Differential pressure (bar) | | | | Kv (m ³ /h) | Series and type | | | Absorption | Sealings | Notes | Weight (kg) ♦ | |
|--------------|-------------------|-----------------------------|--------|---------|----------|------------------------|-----------------|---------|--------|------------|----------|-------|---------------|-------|
| | | Δp min | Δp max | | Manifold | | Actuator | Coil | | | | | | |
| | | | Gas | Liquids | | | | | DC (W) | | | | | |
| Barbed ports | 1.5 | 0 | c.a. | c.c. | c.a. | c.c. | 0,03 | V625D03 | W | ZE30A | 4 | EPDM | - | 0,075 |

► NOTES

- Sealing: EPDM = Ethylene-propylene elastomer (WRAS/KTW certified compound)
- ♦ - Features referred to the manifold equipped with feeding and end side heads.

► SPARE PARTS



Kit Description

Heads group kit

Kit P.N.

G3144801

Consisting of:

Feeding head pos. 2
End side head pos. 3
N°. 1 screw pos. 8
N°. 3 OR pos. 4
Pin pos. 5

OR kit

GU244600006

N°. 6 OR pos. 4

Pin kit

G3145001

N°. 10 pins pos. 5

Air regulator kit

430009001R

1 knob regulator assembly pos. 6

Water regulator kit

505265001R

1 knob regulator assembly pos. 9

Plate kit

G3144901

Plate pos. 7
N°. 3 screws pos. 8

Coil

ZE30A

Coil pos.1

► MOUNTING

- Manifold can be mounted in any position; vertical with coil upwards preferred.